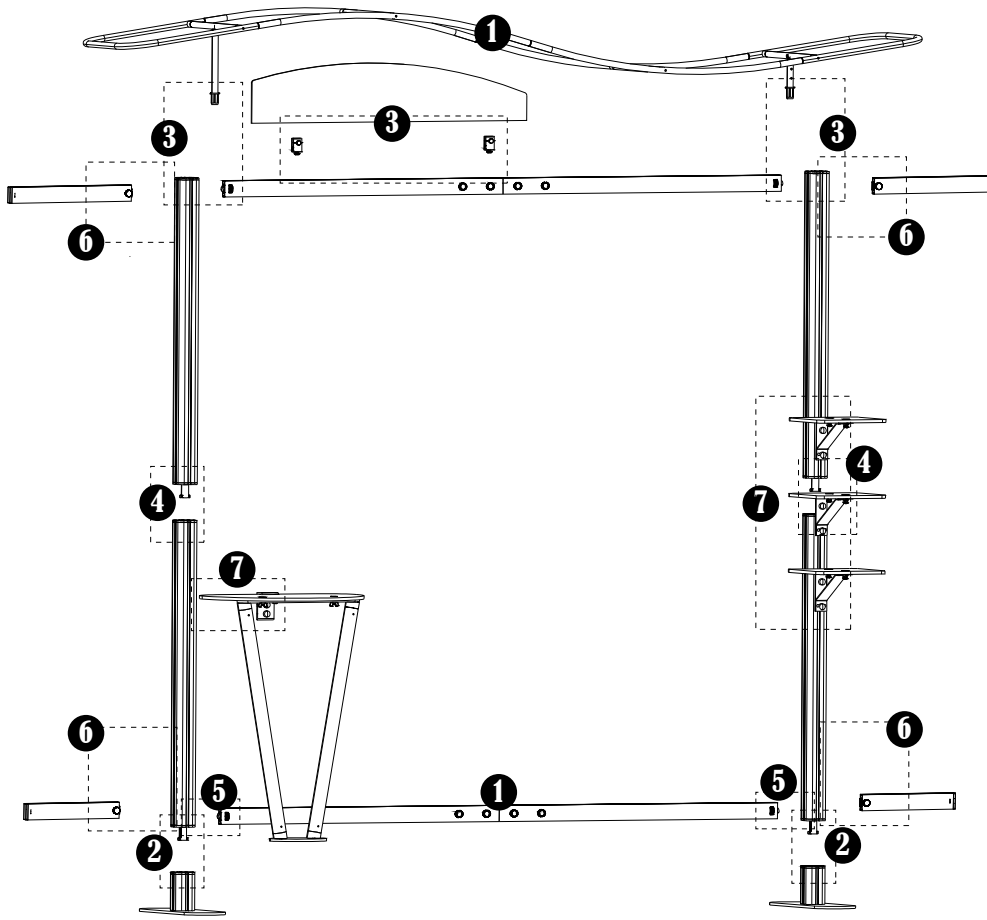
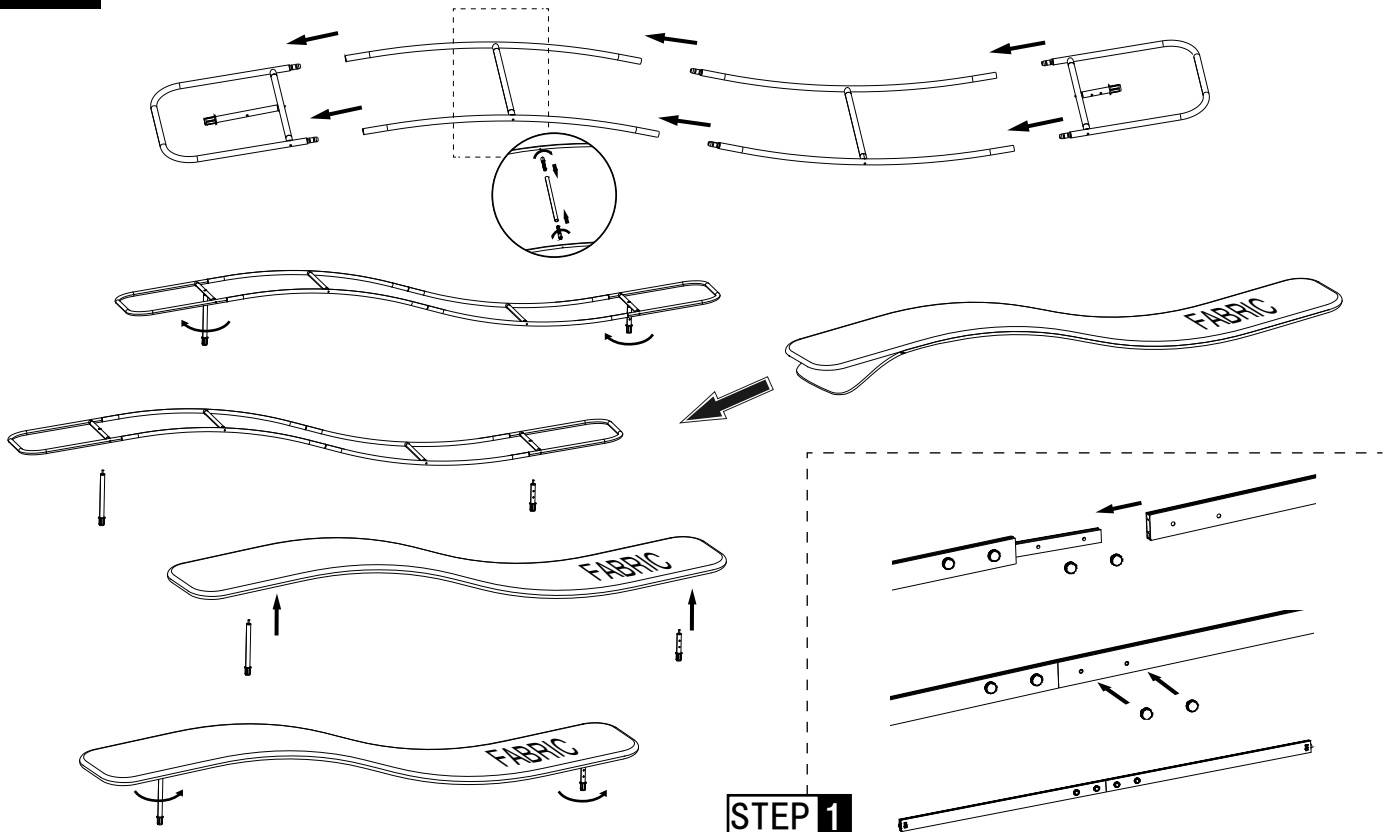


## Frame Assembly



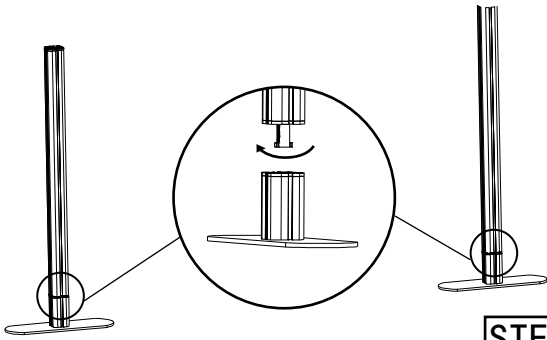
LIST	
	2 pcs
	2 pcs
	4 pcs
	2 pcs
	2 pcs
	1 pcs
	1 pcs
	1 pcs
	1 pcs
	3 pcs
	3 pcs
	8 pcs
	1 pcs
	2 pcs
	2 pcs
	2 pcs
	2 pcs
	2 pcs
	2 pcs
	4 pcs
	2 pcs

## DETAIL

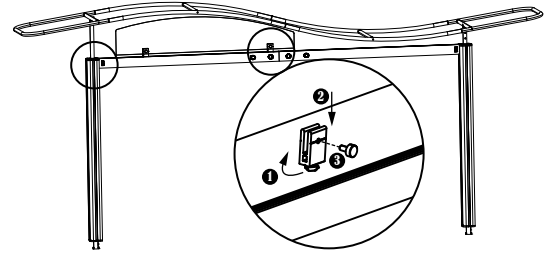
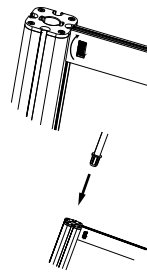


**STEP 1**

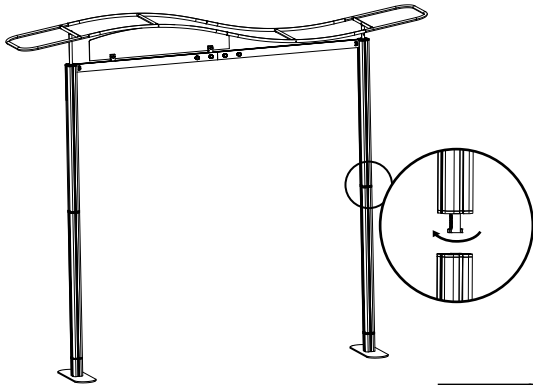
# QWIKSET TWIST-LOCK HYBRID DISPLAY



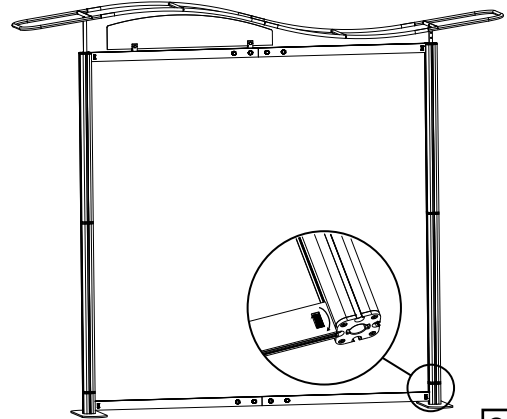
**STEP 2**



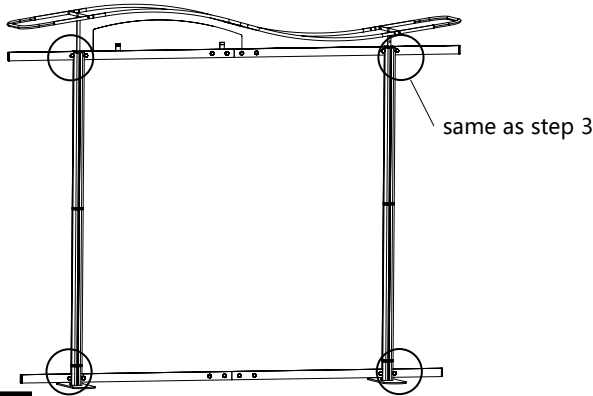
**STEP 3**



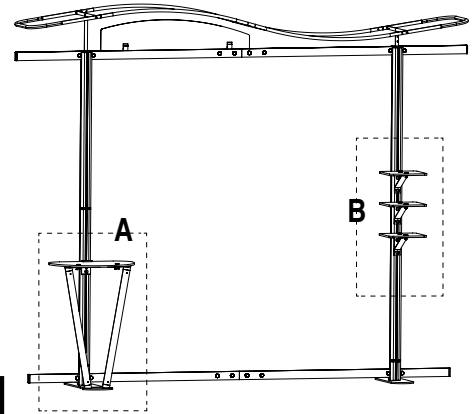
**STEP 4**



**STEP 5**

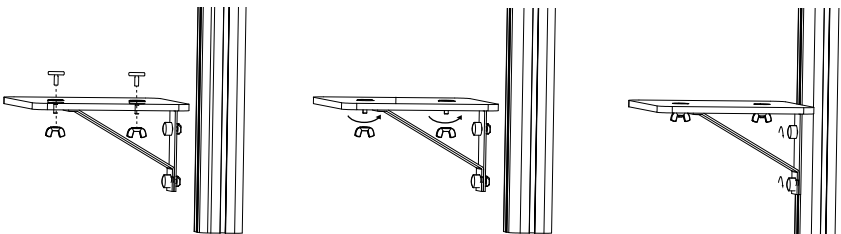


**STEP 6**



**STEP 7**

**The Whole Effect**



**Table A**

**Table B**

