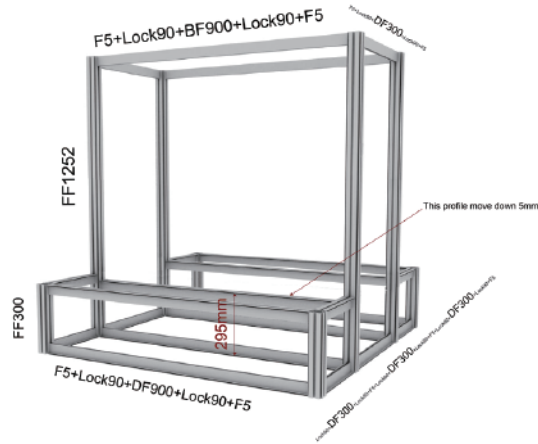
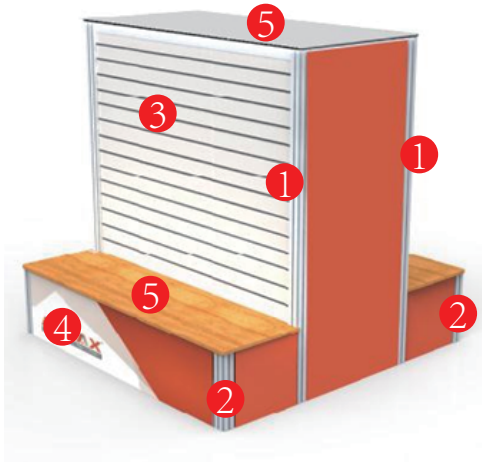
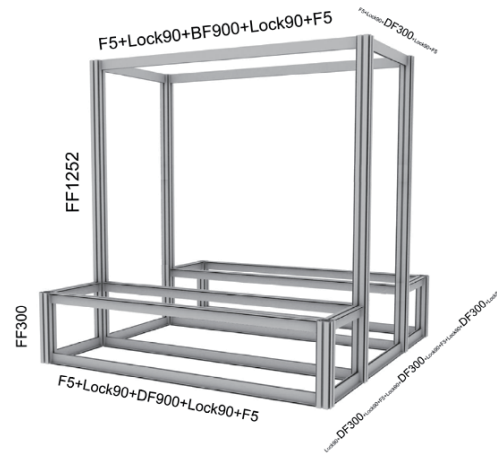


# TE-19F-14DS06 USER GUIDE

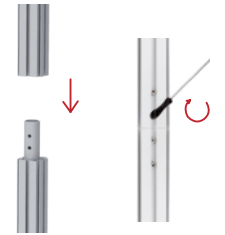


**B** TE-19F-14DS06S



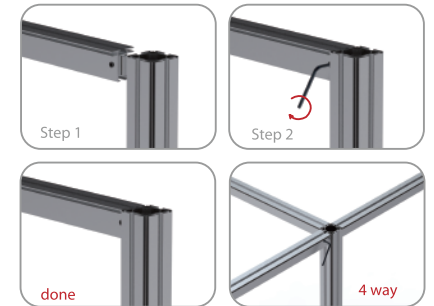
**A** TE-19F-14DS06A

## 1 F5 Profile Connector

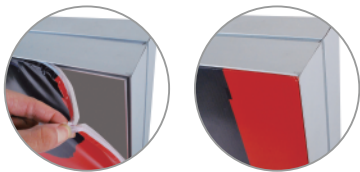


Note: Screws on the vertical frame should not be on the same line with slat wall panels

## 2 D4/F5 Profile Connector



## 4 Printing Installation



\* Four conner frist

## 5 Shelf Installation

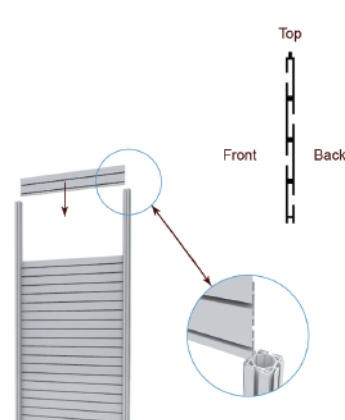


Step 1

Step 2

Step 3

## 3/A AL. Slat Wall



## 3/B Pvc Slat Wall

