

# TE-28C-MB Fabric modular booth

## File:

Please provide final artworks in either Illustrator, Photoshop or CorelDraw file formats  
Files must be set up in CMYK color mode.  
All artworks must come with a digital proof saved in jpg format  
Should you have specific color requirements, please provide PANTONE No. or print sample.

## File setup:

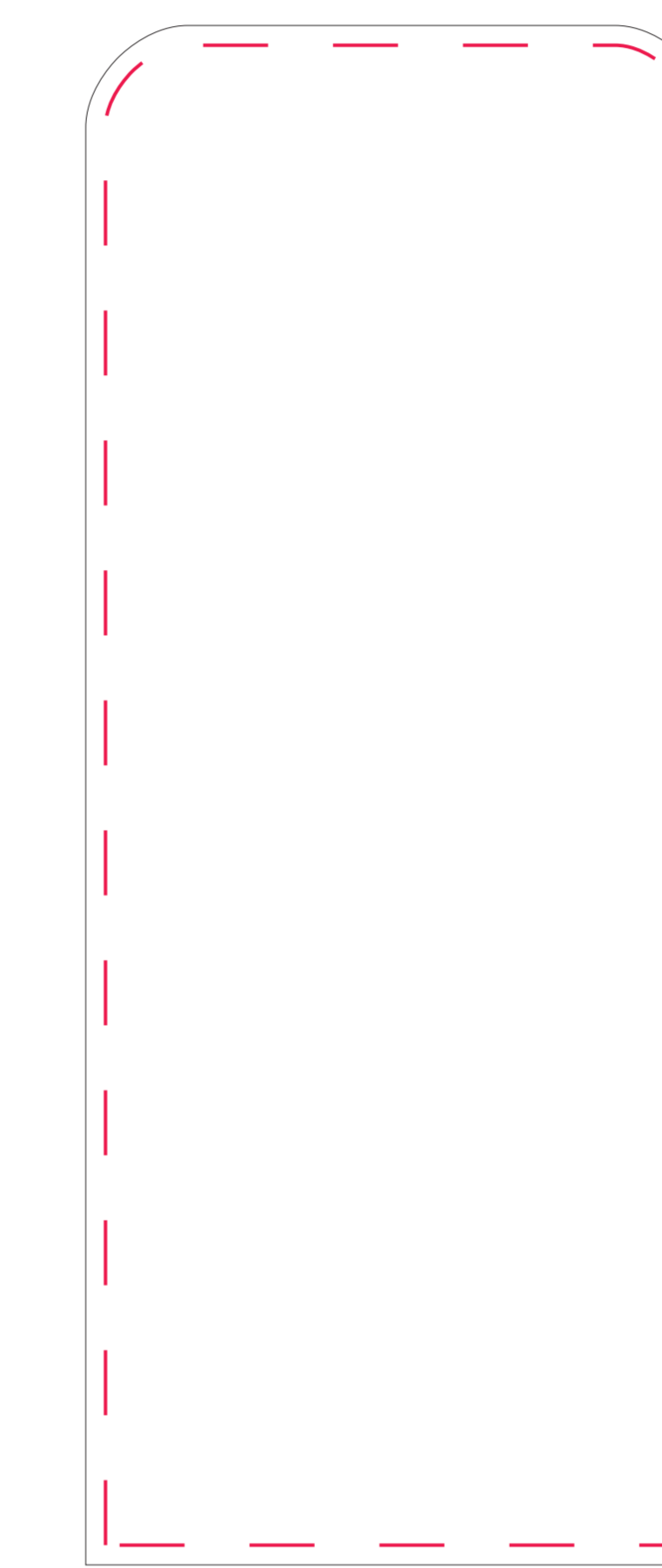
Vector files: 1:1 or proportional to actual size  
All fonts must be outlined or converted to curves.  
Any image placed in layout should be in CMYK mode, in at least 100dpi resolution and must also be supplied separately.



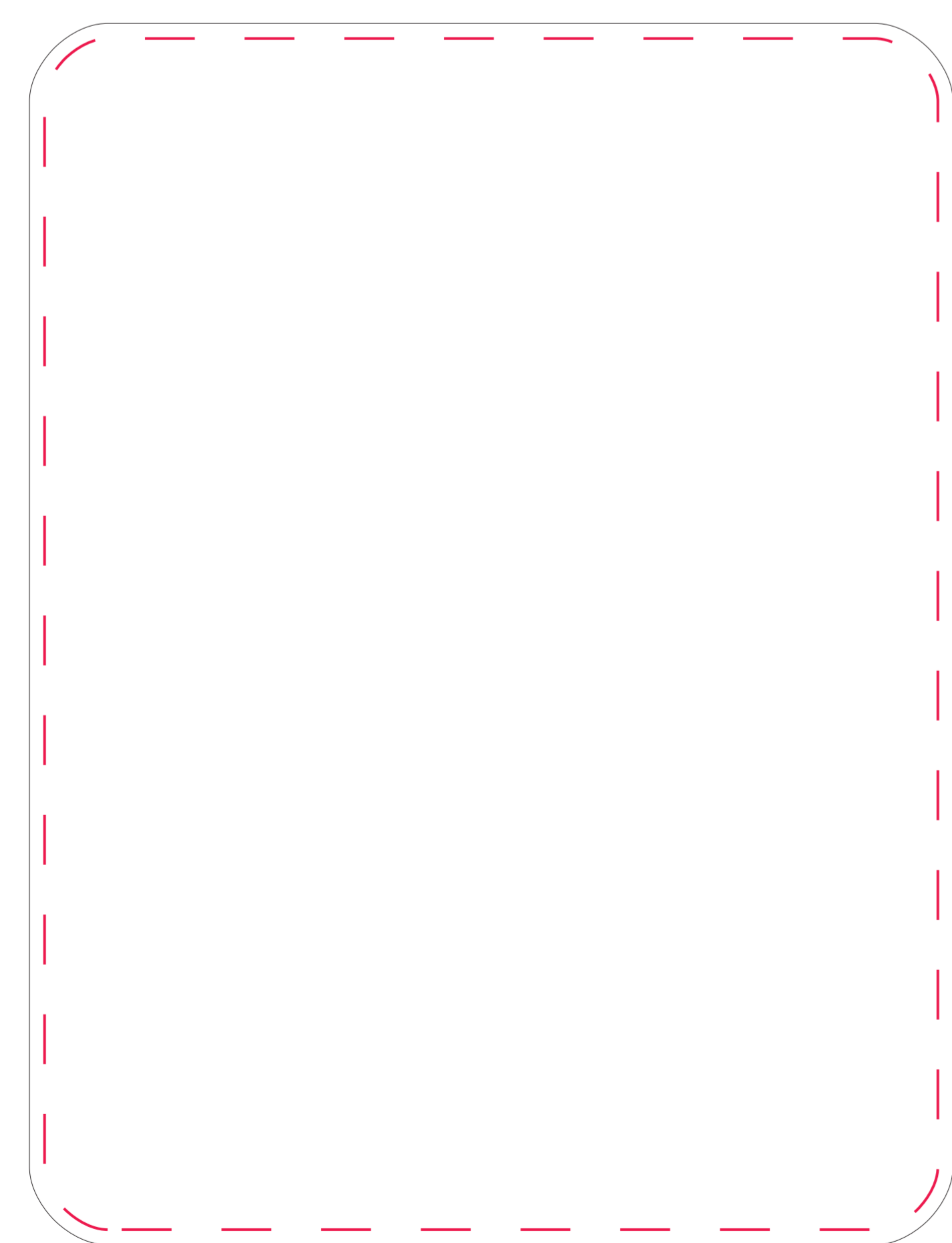
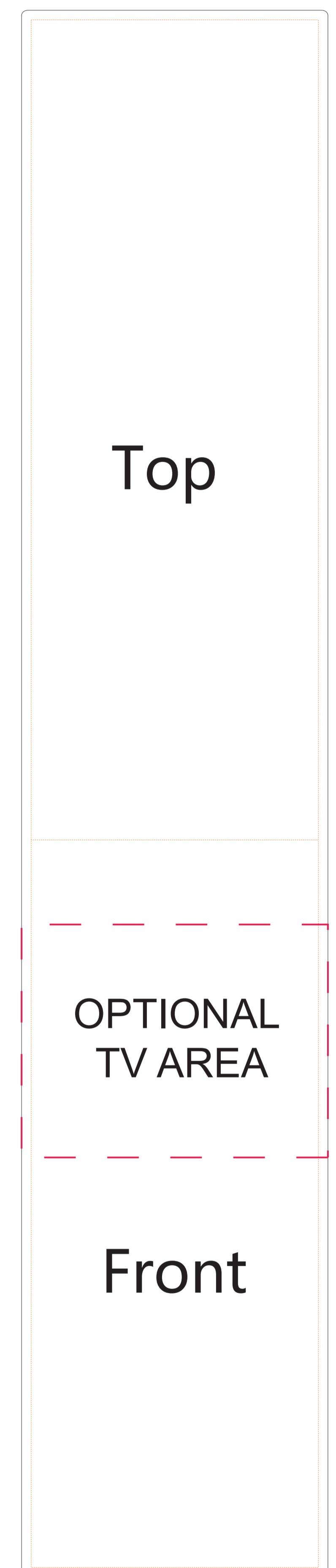
TE-28C-MB6 6M BACKGROUND  
Template SIZE :574\*234CM  
1/10 SIZE



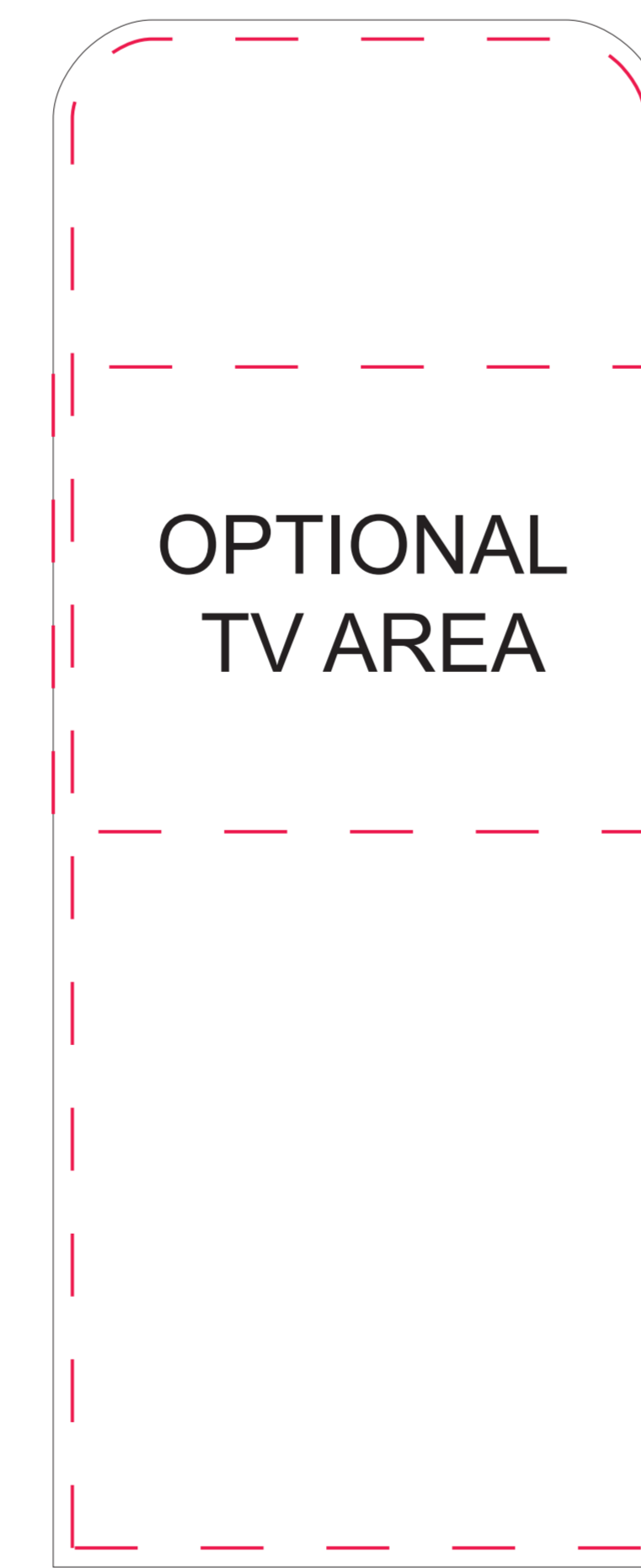
TE-28C-MB3 3M BACKGROUND  
Template SIZE :275\*234CM  
1/10 SIZE



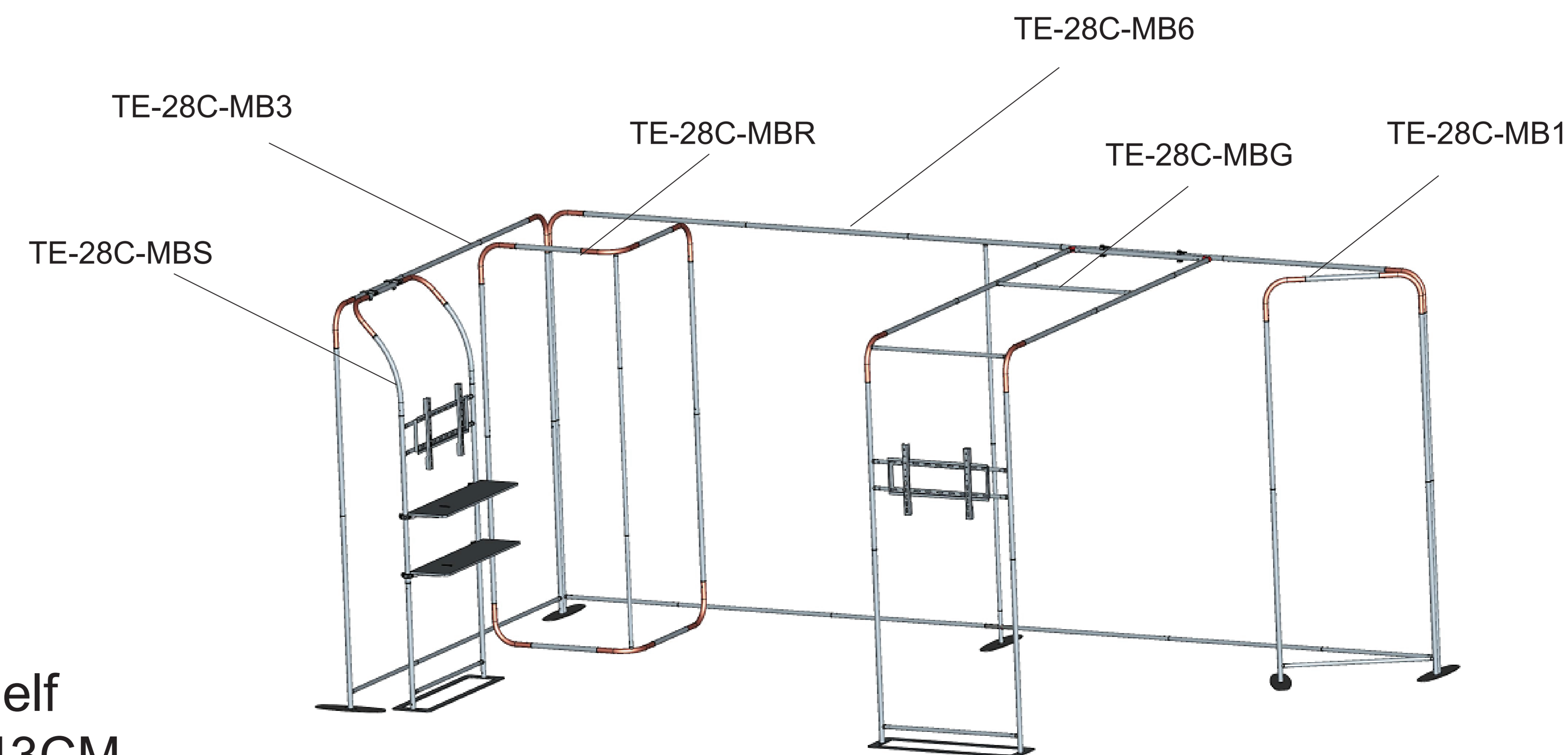
TE-28C-MB1 1M BACKGROUND  
Template SIZE :96\*234CM  
1/10 SIZE



TE-28C-MBR Storeroom  
PRINTING SIZE :183\*242CM  
1/10 SIZE



TE-28C-MBS 1M Shelf  
PRINTING SIZE :96\*243CM  
1/10 SIZE



TE-28C-MBG GATE  
Template SIZE :96\*491CM  
1/10 SIZE

 **IMPORTANT AREA** KEEP IMPORTANT GRAPHIC IN **RED** LINE